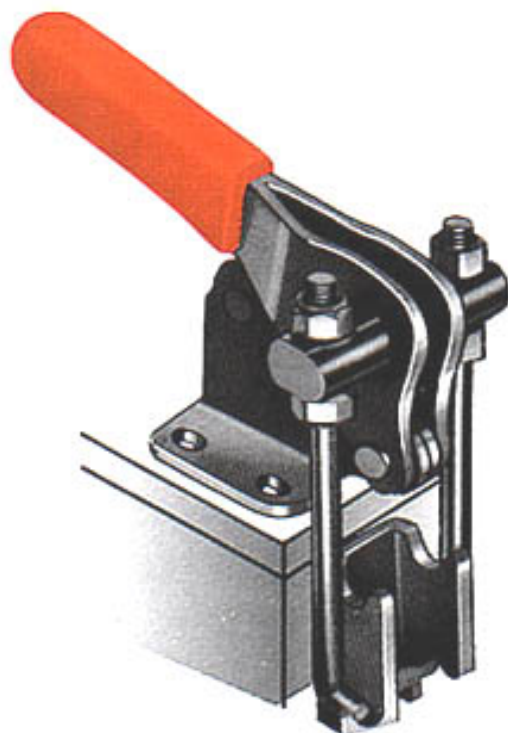


门臼式快速夹钳



022----81794882 81794859 85823692
28314117 28327302 28327307



022----28314117 28327302 28327307



lm866@126.com www.clamp668.com



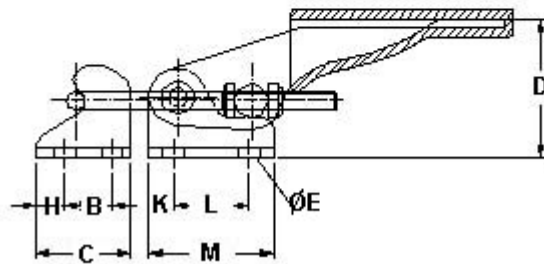
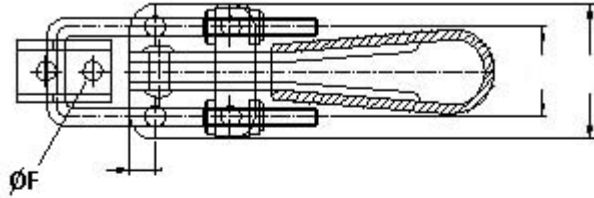
13323362328

天津好手 06版

LATCH TYPE TOGGLE CLAMPS

门栓式夹钳

40323
431
40341



UNIT : mm

*Supplied with latch plate and red vinyl hand grip.

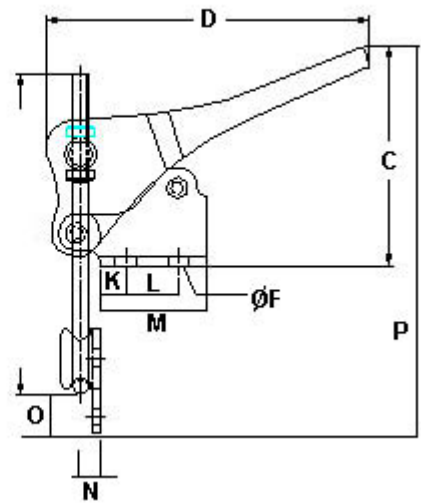
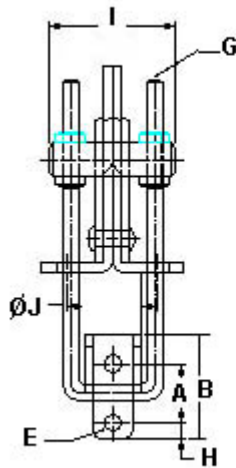
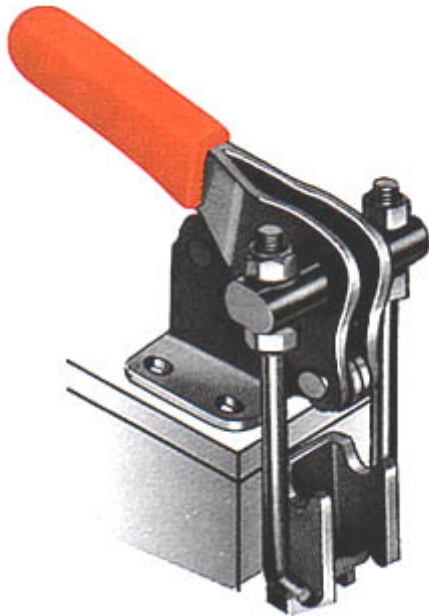
GH-40323-SS

Model 型号	Weight(g) 自重	Holding Capacity(KG) 夹持力	A	B	C	D	E	F	ØG	H	ØI	J	K	L	M	N
40323	71	163.6	6	9.9	19.8	5.2	15.9	26.2	4.4	2	4.4	19	28.2	29.3	24	57
431	225	318	6.8	11.5	25.4	6.4	19	39.7	6.7	3.2	6.3	31.8	44.4	41.3	38	73
40341	680	900	9.5	19.1	38.1	9.5	41.3	60.3	8.6	4	8.5	38.1	54	74	52	114.5
40323-SS	STAINLESS STEEL 不锈钢															
431M-SS																
40341-SS																

LATCH TYPE TOGGLE CLAMPS

门栓式夹钳

40324
40334
40344



UNIT : mm

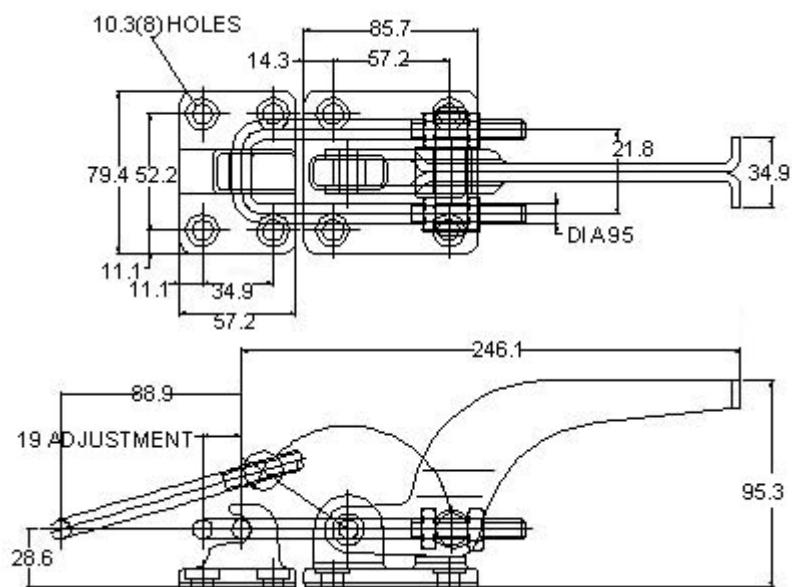
*Supplied with latch plate and red vinyl hand grip.

Model 型号	Weight(g) 自重	Holding Capacity 夹持力	A	B	C	D	ØE	ØF	G	H	I	ØJ	K	L	M	N	O	P	Q	R	S
40324	113	225	14.3	25.4	53.5	79	4.4	5.3	M4 P=0.7	4	31	4	2	13	26	4.7	11.1	70	22	26.5	78.5
40334	250	450	20.6	38.1	61.9	120	7.1	7.1	M16 P=1	7.1	41.3	6.35	3	19.1	33.3	8.7	17.5	102	25.4	40.5	114
40344	700	900	27	54	84.1	130.2	8.7	5.3	M8 P=1.25	9.5	60.3	7.9	4	31.8	47.6	12.7	28.6	150	36.5	58	154
40324-SS	STAINLESS STEEL 不锈钢																				
40334-SS																					
40344-SS																					

LATCH TYPE TOGGLE CLAMPS

门栓式夹钳

40370



夹持力: 1818 kg MAX.
自重: 1260g

40370-LP 配合于 40370,另购。

注:40370-LP 即图示左边黑色的钩

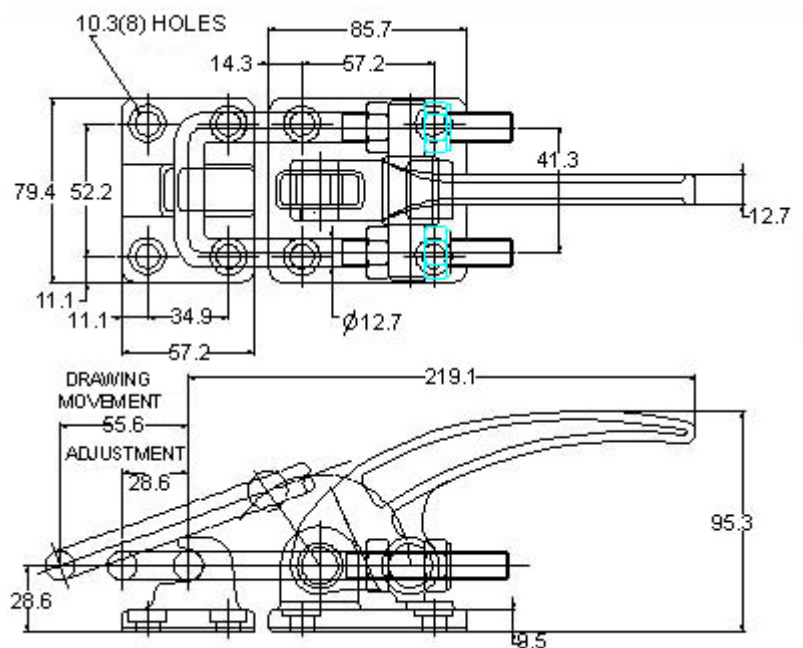
UNIT : mm

- **Heavy Duty**
- **Forged Alloy Steel Base**
HOLDING CAPACITY : 1818 kg MAX.
WEIGHT : 1260g
*Supplied with red vinyl hand grip.
*An optional latch plate 40370-LP is available.

LATCH TYPE TOGGLE CLAMPS

门栓式夹钳

40380



夹持力: 3400 kg MAX.

自重: 480g

注: 40370-LP 为图示左边黑颜色的钩, 另购。

UNIT : mm

- **Heavy Duty**
- **Forged Alloy Steel Base**
HOLDING CAPACITY : 3400 kg MAX.
WEIGHT : 480g
*Supplied with red vinyl hand grip.
*An optional latch plate 40370-LP is available.

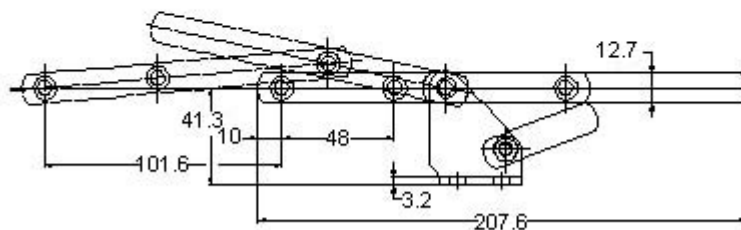
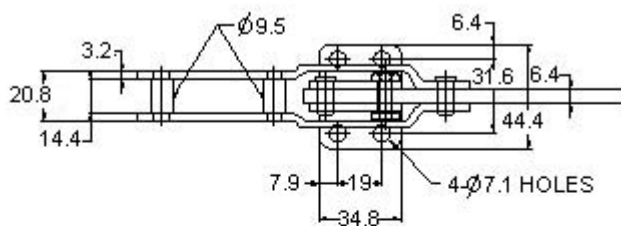
LATCH TYPE TOGGLE CLAMPS

门栓式夹钳

43101



夹持力: 170kg MAX.
自重: 310g



UNIT : mm

HOLDING CAPACITY : 170kg MAX.

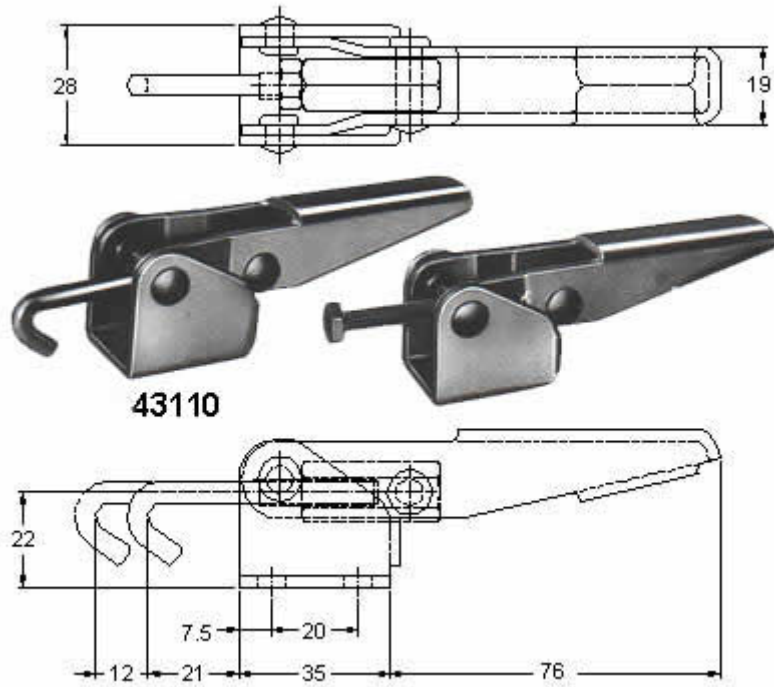
WEIGHT : 310g

*Supplied with red vinyl hand grip.

LATCH TYPE TOGGLE CLAMPS

门栓式夹钳

43110 and 43120



UNIT : mm

HOLDING CAPACITY : 170 kg MAX.

WEIGHT : 185g

*43110 Supplied with M6 P=1.0 hook bolt.

*43120 Supplied with No.SA-065010 hex head spindle assembly.

夹持力: 170 kg MAX.

自重: 185g

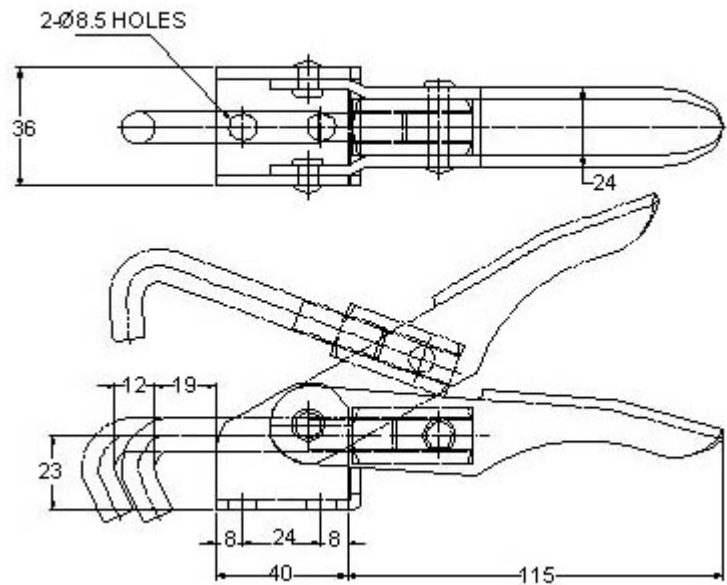
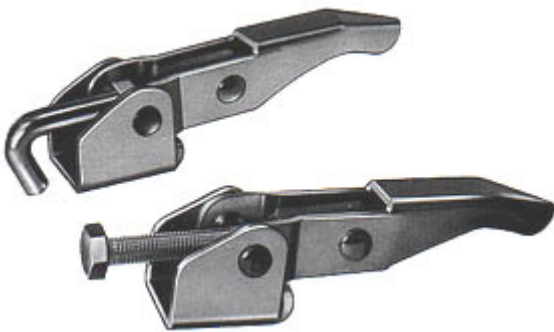
* 43110 前端铁钩后部的连接螺纹为: M6 P=1.0

* 43120 前端螺丝的标记代号为: SA-065010, 尺寸可在附件表中查找。

LATCH TYPE TOGGLE CLAMPS

门栓式夹钳

43150
and
43160



UNIT : mm

HOLDING CAPACITY : 300 kg MAX.

WEIGHT : 385g

*43150 Supplied with M10 P=1.5 hook bolt.

*43160 Supplied with No. SA-107515 hex head spindle assembly.

夹持力: 300 kg MAX.

自重: 385g

* 43150 前端铁钩后部的连接螺纹为: M10 P=1.5

* 43160 前部螺丝的标记代码为: SA-107515 , 尺寸可在附件表中查找

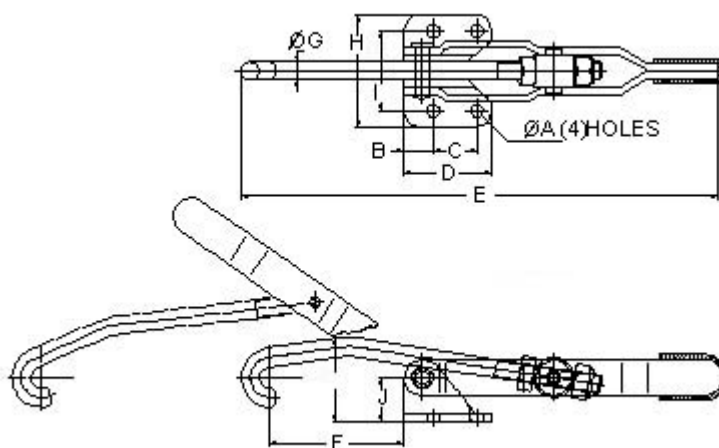
LATCH TYPE TOGGLE CLAMPS

门栓式夹钳

451
452
40371
43801



图示型号为：452



UNIT : mm

*Supplied with red vinyl hand grip.

Model 型号	DESCRIPTION 说明	Weight 自重	Holding Capacity 夹持力	A	B	C	D	E	F	G	H	I	J
451	FLANGED BASE 法兰座	270g	170kg	5.6	12.7	19	38.1	211.1	58.7	8	49.2	34.9	19
452	NARROW BASE 窄座	255g	170Kg										
40371	FLANGED BASE 法兰座	624g	340kg	8.7	7.9	31.8	47.6	285.7	79.4	9.5	65.7	49.2	35.32
43810	FLANGED BASE 法兰座	1.13kg	450kg	10.5	12.8	28.5	54	340	76	12	86	60.5	46
451-SS	STAINLESS STEEL 不锈钢												