

# C型钳式快速夹钳



022----81794882 81794859 85823692  
28314117 28327302 28327307



022----28314117 28327302 28327307



[lm866@126.com](mailto:lm866@126.com) [www.clamp668.com](http://www.clamp668.com)

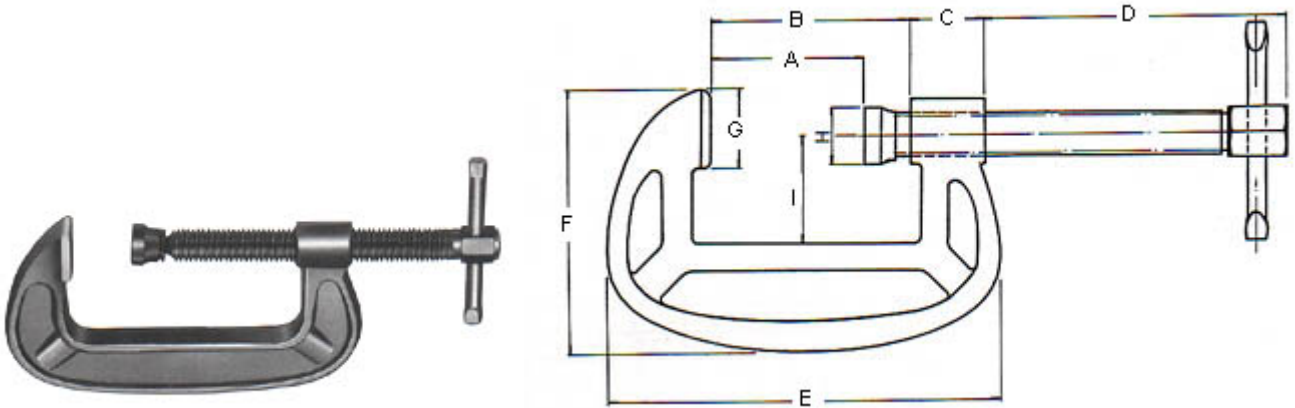


13323362328

天津好手 06版

## C CLAMPS

## C 型钳



UNIT : mm

- MATERIAL(材料) : AISI 1045 MEDIUM CARBON STEEL(AISI 1045 中碳钢)  
 HARDNESS(硬度) : HRC 38° +/- 2  
 SURFACE(表面处理) : PHOSPHATE TREATMENT(磷酸盐发黑)

Model 型号	A	B	C	D	E	F	G	H	I	NW(KG)
	m.m.	m.m.	m.m.	m.m.	m.m.	m.m.	m.m.	m.m.	m.m.	
1" M25	25.5	36	20	49	80	58	20	∅16	24.5	0.2
1-1/2" M38	39	50	20	69	97	68	20	∅16	31	0.29
2" M50	45.8	59	21.6	87.8	114.2	70.5	22.2	∅15.8	31.1	0.4
3" M75	69.7	85.3	27	107.4	148.4	83.7	27.4	∅19	40	1.76
4" M100	98.2	117.5	32.4	143	192.2	106	31.5	∅22.2	49.6	1.25
5" M125	118.7	140	36.7	176.4	225	122.5	35.5	∅25.5	72.75	1.8
6" M150	141.4	162.1	40	198.8	254.5	137.8	41.5	∅25.5	75.35	2.5
8" M200	185.2	209.5	44	239.8	323	174.4	41.7	∅28	96	4.5
10" M250	243.5	270	44.5	330	380	203	43	∅28	124	6.1
12" M300	290	320	55	360	455	223	50	∅35	130	9.0